

Motor Reversing Intermittent Duty Solenoid

A Combination Of Two Solenoids



Description

A combination of two solenoids in one package to reduce cost and maximize space savings while also providing simpler wiring. Two integral solenoids provide dynamic braking for permanent magnet motors, when neither coil is energized. This intermittent duty solenoid can be used at a variety of amperages.

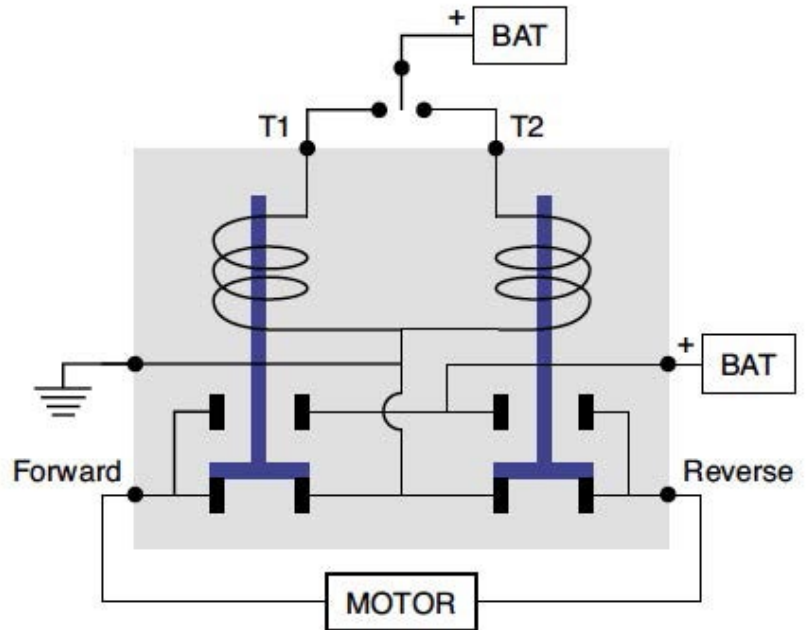
Features and Benefits

- 75A Make/Break: 5 min On, 5 min Off
- 125A Make/Break: 30 sec On, 5 min Off
- 150A Make/Break: 0.5 sec On, 5 min Off

Tech Specs

Amps	75-105A
Voltage	12V DC

Part No.	Description
24450-BX	Motor Reversing Intermittent Duty Solenoid - DPDT



Authorised Importer and Master Distributor

